



Output Capacity: **5 - 90 Ton**

Bolt Range: **M6 To M48**

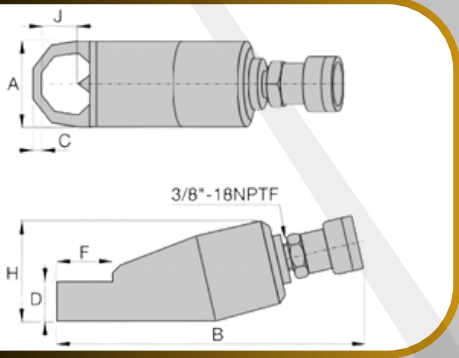
Max Working Pressure: **10,000PSI**

NS SERIES

Our NS Series Nut Splitters are compact and ergonomically designed with a unique angled head to suit all your applications .

Operating as a single acting, spring return hydraulic cylinder, giving you maximum efficiency.

The NS range uses heavy duty chisels which can be reground and easily changed out when required.



Model	NS1319X	NS1924X	NS2432X	NS3241X	NS4150X	NS5060X	NS6075X
Bolt Range (MM)	6 - 12	12 - 16	16 - 22	22 - 27	27 - 33	33 - 39	39 - 48
Hex Nut Range (MM)	10 - 19	19 - 24	24 - 32	32 - 41	41 - 50	50 - 60	60 - 75
Output Capacity (Ton)	5	10	15	20	35	50	90
Oil Capacity (CM3)	15	20	60	80	155	240	492
Weight (KG)	1.2	2.0	3.0	4.4	8.2	11.8	34.1
A (MM)	40	54	64	75	94	106	156
B (MM)	170	191	222	244	288	318	393
C (MM)	7	10	13	17	21	23	26
D (MM)	19	26	29	36	45	54	72
F (MM)	28	40	51	66	74	90	110
H (MM)	48	62	72	88	105	128	181
J (MM)	21	25	33	43	54	60	60



Output Capacity: 103 - 193 Ton

Bolt Range: **M45 To M90**

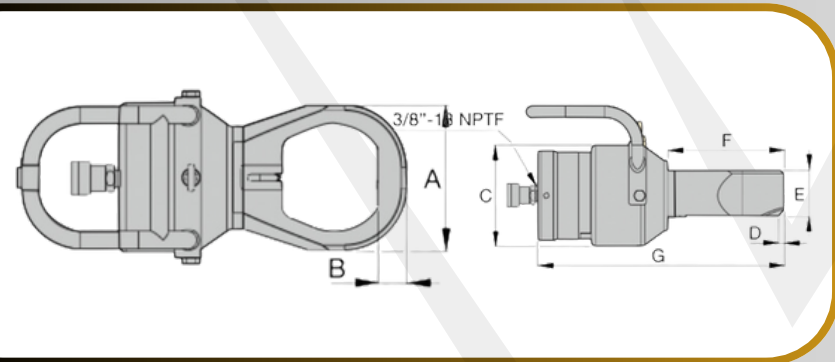
Max Working Pressure: **10,000PSI**

NS SERIES

Our NS Series Nut Splitters for higher ranges are specifically designed ANSI B16.5 / BS1560 flanges.

Operating as a single acting, spring return or double acting hydraulic cylinder (depending on selected model), giving you maximum operating efficiency.

The larger NS range nut splitters use Tri blade technology, providing 3 cutting surfaces from a single blade.



Model	NS7080X	NS7085X	NS7095X	NS70105X	NS110115X	NS110130X
Bolt Range (MM)	45 - 52	45 - 56	45 - 64	45 - 72	76 - 80	76 - 90
Hex Nut Range (MM)	70 - 80	70 - 85	70 - 95	70 - 105	110 - 115	110 - 130
Output Capacity (Ton)	103	103	103	103	193	193
Oil Capacity (CM3)	377	377	377	377	819	819
Weight (KG)	37	37	38.5	39.5	69	71.5
A (MM)	132	145	160	174	189	219
B (MM)	28	30	32	35	36	41
C (MM)	180	180	180	180	234	234
D (MM)	8	8	8	9	3.7	2.5
E (MM)	81	81	81	81	111	111
F (MM)	186	196	201	209	234	242
G (MM)	412	422	432	443	472	493